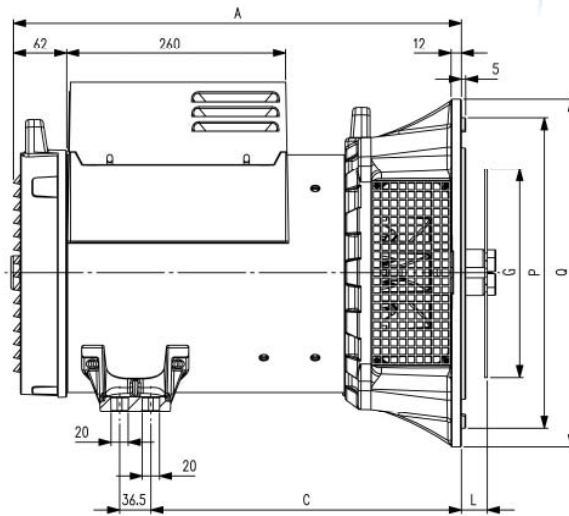
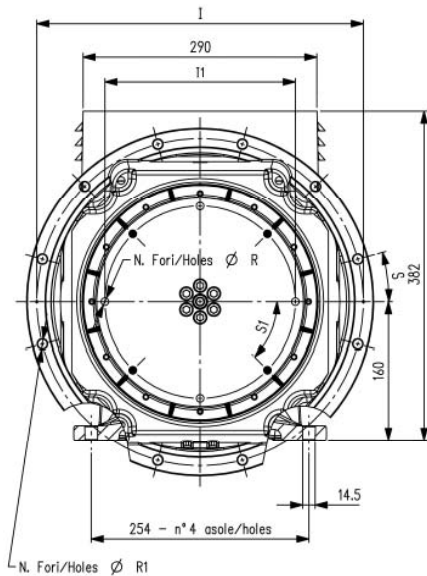


DIMENSIONI D'INGOMBRO / OVERALL DIMENSIONS

MONOSUPPORTO / SINGLE BEARING



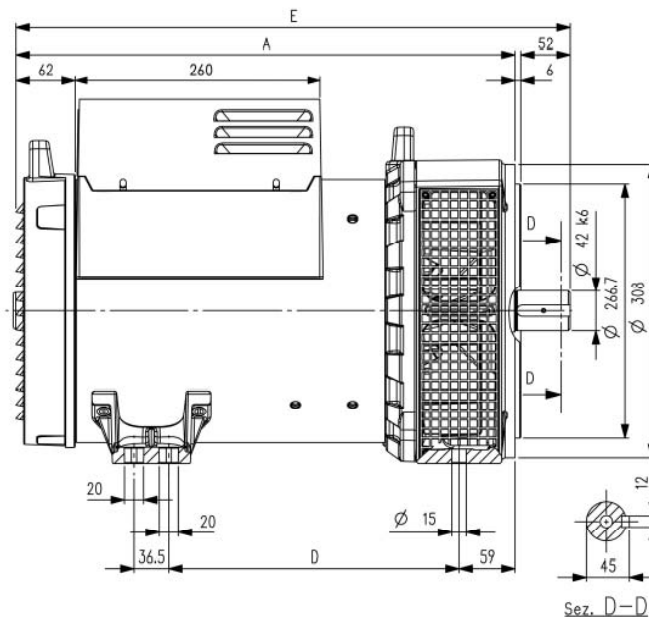
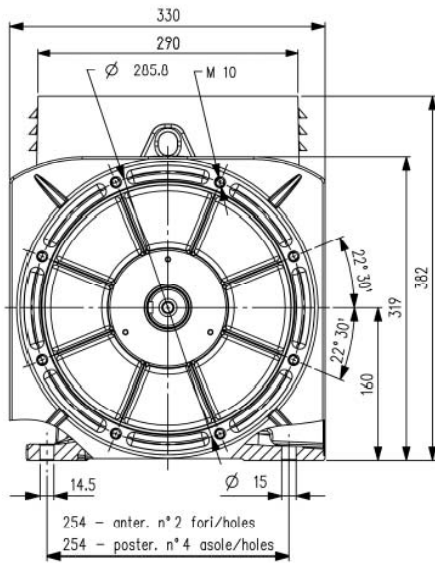
| GIUNTO A DISCHI DISK JOINT | FLANGIA SAE * FLANGE SAE | | | FORI HOLES | | | | | |
|-------------------------------|--------------------------|---|---|------------|-------|-------|---|----|-----|
| | 5 | 4 | 3 | L | G | I1 | R | S1 | |
| 6,5 | • | • | | 30,2 | 215,9 | 200,0 | 6 | 9 | 60° |
| 7,5 | • | • | | 30,2 | 241,3 | 222,2 | 8 | 9 | 45° |
| 8,0 | • | • | • | 62,0 | 263,5 | 244,5 | 6 | 11 | 60° |
| 10,0 | | • | • | 53,8 | 314,3 | 295,3 | 8 | 11 | 45° |
| 11,5 | | | • | 39,6 | 352,4 | 333,4 | 8 | 11 | 45° |

| | | | |
|----|---------|-------|-------|
| P | 314,3 | 362,0 | 409,6 |
| Q | 358,0 | 405,0 | 452,0 |
| I | 333,4 | 381,0 | 428,6 |
| R1 | 11 | 11 | 11 |
| S | 22° 30' | 15° | 15° |

| FORI/HOLES | 8 | 12 | 12 |
|------------|---|----|----|
|------------|---|----|----|

| TIPO TYPE | A | C | Massa Weight (kg) |
|--------------|-----|-----|----------------------|
| HB2 SA | 523 | 363 | 89 |
| HB2 SB | 523 | 363 | 95 |
| HB2 CA | 563 | 403 | 114 |
| HB2 MA | 603 | 443 | 128 |
| HB2 LA | 653 | 493 | 147 |

BISUPPORTO / DOUBLE BEARING



| TIPO/TYPE | A | D | E |
|-----------|-----|-----|-----|
| HB2 SA | 523 | 304 | 581 |
| HB2 SB | 523 | 304 | 581 |
| HB2 CA | 563 | 344 | 621 |

| TIPO/TYPE | A | D | E |
|-----------|-----|-----|-----|
| HB2 MA | 603 | 384 | 661 |
| HB2 LA | 653 | 434 | 711 |